

RECOMMENDED RETAIL PRICES

Applicable from 03-06-2022

EN 11-00 V2 PAEU-EN



VIPAMAT
3 Rue Gustave Eiffel
56270 PLOEMEUR -France
Tél :+33(0)2.97.86.24.87
contact@vipamat.com
www.vipamat.com



PRODUCT SPECIFICATIONS



Blue



Pink

Product Beach and All-terrain Hippocampe
Sizes S, M, L, XL
S Size : to 4 ft 7 in - 1m40
M Size : from 4 ft 7 in -1m40 to 5 ft 5 in - 1m65
L Size : from 5 ft 5 in - 1m65 to 6 ft 1 in - 1m85
XL Size : from 6 ft 1 in - 1m85

Weight 17 kg / 37,46 lbs
User max 130 kg / 286,60 lbs
[See dimensions on page 3](#)

Order

Quote

Order N°

CONTACT

Last name	<input type="text"/>	Email	<input type="text"/>
First name	<input type="text"/>	Phone	<input type="text"/>

ADDRESSES

Invoice address		Delivery address or invoice address	
Address	<input type="text"/>	Address	<input type="text"/>
Postcode	<input type="text"/>	Postcode	<input type="text"/>
City / State	<input type="text"/>	City / State	<input type="text"/>
Country	<input type="text"/>	Country	<input type="text"/>

DEALER

Company name	<input type="text"/>	Email	<input type="text"/>
PO number	<input type="text"/>		

WHEELCHAIR MODELS

Code FRAME	FIX IN HEIGHT AND RECLINING BACKREST PACK	Color	Sizes	Retail price	VAT	Total	Quantity
0001-TS-02-BM		Blue	S	2 327,01 €	5.5 %	2 455,00 €	
0001-TM-02-BM	PUSH BAR + BACKREST + DUAL WHEELS		M	2 327,01 €	5.5 %	2 455,00 €	
0001-TL-02-BM	+ 0003-00-03-BM + 0004-00-01 + 0009-00-02		L	2 327,01 €	5.5 %	2 455,00 €	
0001-TX-02-BM			XL	2 327,01 €	5.5 %	2 455,00 €	
0001-TS-02-RO		Pink	S	2 327,01 €	5.5 %	2 455,00 €	
0001-TM-02-RO	PUSH BAR + BACKREST + DUAL WHEELS		M	2 327,01 €	5.5 %	2 455,00 €	
0001-TL-02-RO	+ 0003-00-03-RO + 0004-00-01 + 0009-00-02		L	2 327,01 €	5.5 %	2 455,00 €	
0001-TX-02-RO			XL	2 327,01 €	5.5 %	2 455,00 €	
Code FRAME	ADJUSTABLE IN HEIGHT AND RECLINING BACKREST PACK						
0001-TS-02-BM		Blue	S	2 412,32 €	5.5 %	2 545,00 €	
0001-TM-02-BM	PUSH BAR + BACKREST + DUAL WHEELS		M	2 412,32 €	5.5 %	2 545,00 €	
0001-TL-02-BM	+ 0003-00-03-BM + 0005-00-01 + 0009-00-02		L	2 412,32 €	5.5 %	2 545,00 €	
0001-TX-02-BM			XL	2 412,32 €	5.5 %	2 545,00 €	
0001-TS-02-RO		Pink	S	2 412,32 €	5.5 %	2 545,00 €	
0001-TM-02-RO	PUSH BAR + BACKREST + DUAL WHEELS		M	2 412,32 €	5.5 %	2 545,00 €	
0001-TL-02-RO	+ 0003-00-03-RO + 0005-00-01 + 0009-00-02		L	2 412,32 €	5.5 %	2 545,00 €	
0001-TX-02-RO			XL	2 412,32 €	5.5 %	2 545,00 €	

OPTIONS / ADJUSTMENTS

Code	Designation	Color	Sizes	Retail price	VAT	Total	Quantity
0007-00-02-BM	PAIR OF ARMRESTS	Blue		247,39 €	5,5 %	261,00 €	
0007-00-02-RO	PAIR OF ARMRESTS	Pink		247,39 €	5,5 %	261,00 €	
0008-00-05	ADJUSTABLE HEADREST			169,67 €	5,5 %	179,00 €	
0006-00-01	PARKING BRAKES			170,62 €	5,5 %	180,00 €	
0013-00-02	MIXED HARNESS			101,42 €	5,5 %	107,00 €	
0024-00-01	WAIST BELT			68,25 €	5,5 %	72,00 €	
0010-00-01	PAIR OF BALLOON WHEELS			587,68 €	5,5 %	620,00 €	
0014-00-01	FRONT SKI			218,96 €	5,5 %	231,00 €	
0023-00-01	PAIR OF REAR SKIS			359,24 €	5,5 %	379,00 €	
0011-TL-01	TRANSPORT BAG			112,08 €	20 %	134,50 €	
0011-TX-01	TRANSPORT BAG		XL	112,08 €	20 %	134,50 €	
0012-00-01	BACKREST BAG			35,00 €	20 %	42,00 €	
0051-TM-01	THERMAL COVER		M	138,33 €	20 %	166,00 €	
0051-TL-01	THERMAL COVER		L	146,25 €	20 %	175,50 €	
0044-00-02	20 INCHES SPOKE GUARD FOR 1 WHEEL			31,28 €	5,5 %	33,00 €	
0160-TM-02	RAIN CANOPY AND LEGS PROTECTION		M	472,99 €	5,5 %	499,00 €	
0160-TL-02	RAIN CANOPY AND LEGS PROTECTION		L	472,99 €	5,5 %	499,00 €	
0160-TX-02	RAIN CANOPY AND LEGS PROTECTION		XL	472,99 €	5,5 %	499,00 €	
0162-00-01	UMBRELLA			77,50 €	20 %	93,00 €	
0050-TS-01	CONFORTABLE PLUS DUO VELCRO S - POSITIONING SEAT		S	840,00 €	20 %	1 008,00 €	
0050-TM-01	CONFORTABLE PLUS DUO		M	947,08 €	20 %	1 136,50 €	
0050-TL-01	CONFORTABLE PLUS DUO		L	1 063,75 €	20 %	1 276,50 €	
0050-XL-01	CONFORTABLE PLUS DUO		XL	1 100,42 €	20 %	1 320,50 €	
0136-00-01	WEBBING STRAP - FASTENING STRAP			19,17 €	20 %	23,00 €	
0179-00-01	BAG FOR BALLOON WHEELS			110,83 €	20 %	133,00 €	

* 2 webbing straps for 1 comfortable plus duo

OPTIONS / ADJUSTMENTS

Code	Designation	Color	Sizes	Retail price	VAT	Total	Quantity
0032-00-01	ARMRESTS NET			131,75 €	5,5 %	139,00 €	
0033-TS-01	FOOTWELL INFILL NET		S	99,53 €	5,5 %	105,00 €	
0033-TM-01	FOOTWELL INFILL NET		M	99,53 €	5,5 %	105,00 €	
0033-TL-01	FOOTWELL INFILL NET		L	99,53 €	5,5 %	105,00 €	
0033-TX-01	FOOTWELL INFILL NET		XL	99,53 €	5,5 %	105,00 €	
0019-00-03	HANDLEBAR			52,13 €	5,5 %	55,00 €	
0027-00-00	ADDITIONAL COST OF A LARGE REAR AXLE FOR ALL SIZES			76,78 €	5,5 %	81,00 €	
0026-00-01	PAIR OF PARKING BRAKES FOR LARGER FRAME			185,78 €	5,5 %	196,00 €	
0016-00-02	KIT WIDER ARMREST			87,20 €	5,5 %	92,00 €	



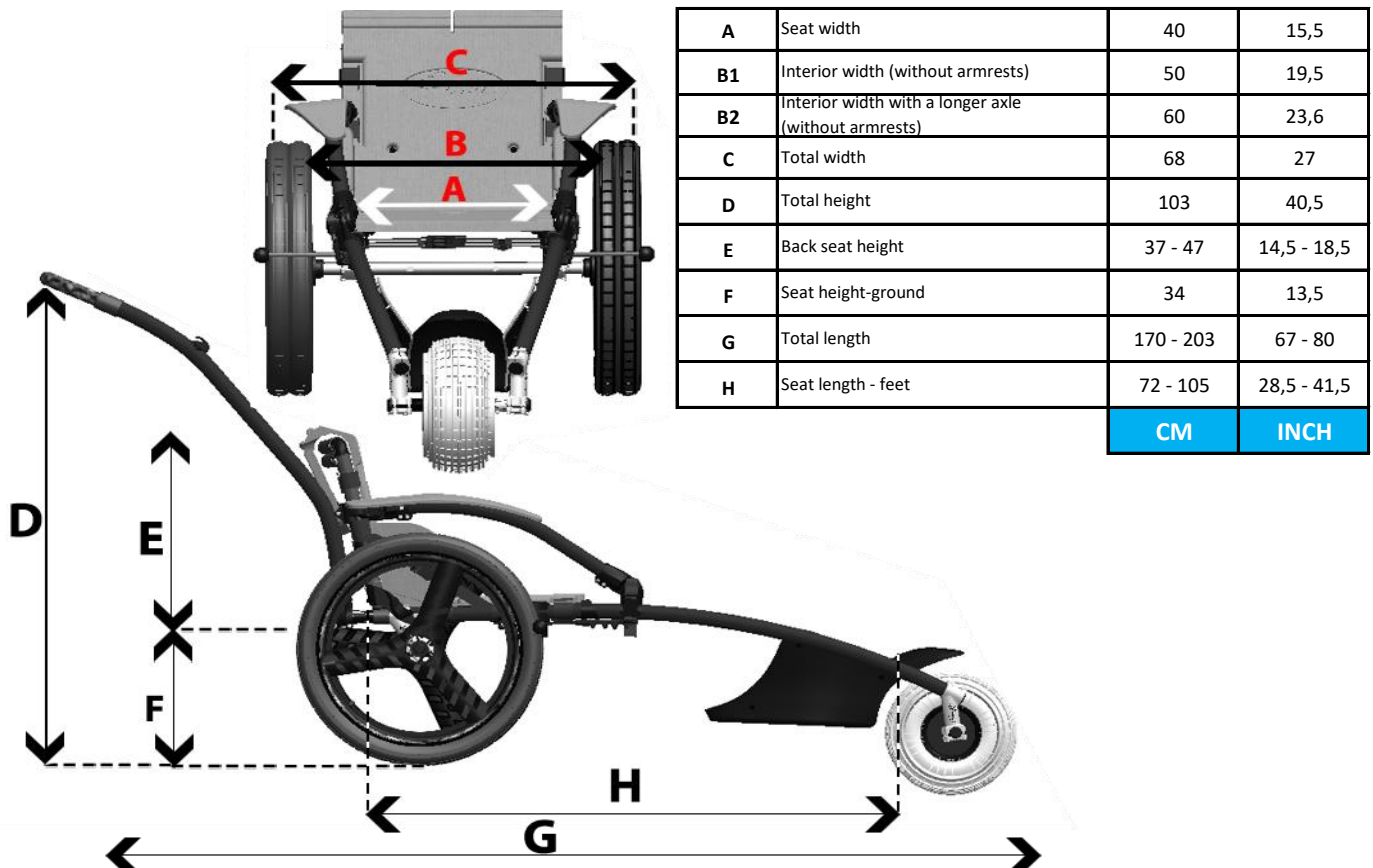
TERMS AND INFORMATION

Rates are subject to change without notice.

Form to be sent by e-mail to contact@vipamat.com.

Payment by bank transfer before sending the goods.

Shipping costs not included.



OPTIONS / ADJUSTMENTS



WAIST BELT



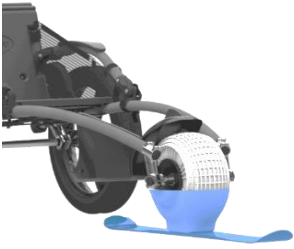
ADJUSTABLE HEADREST



PAIR OF ARMRESTS



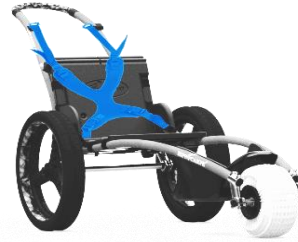
PARKING BRAKES



FRONT SKI



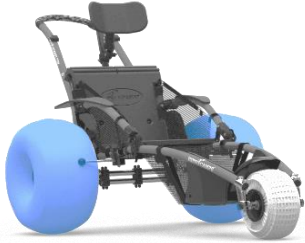
PAIR OF REAR SKIS



MIXED HARNESS



BACKREST BAG



PAIR OF BALLOON WHEELS



THERMAL COVER



20 INCHES SPOKE GUARD FOR 1 WHEEL



COMFORTABLE PLUS DUO



TRANSPORT BAG



UMBRELLA



BAG FOR BALLOON WHEELS

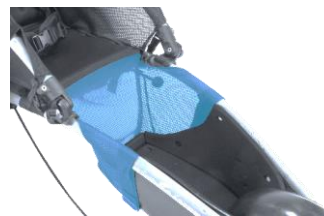


RAIN CANOPY

OPTIONS / ADJUSTMENTS



ARMRESTS NET



FOOTWELL INFILL NET



Website
www.vipamat.com



RECOMMENDED RETAIL PRICES

Applicable from 01-02-2022

EN 11-00 V2 PAEU-EN



VIPAMAT
3 Rue Gustave Eiffel
56270 PLOEMEUR -France
Tél :+33(0)2.97.86.24.87
contact@vipamat.com
www.vipamat.com



HIPPOCAMPE[®]
Swimming pool

PRODUCT SPECIFICATIONS

Blue

Product Hippocampe Swimming pool
Unique size

Weight 11,5 kg / 24,25 lbs
User max 130 kg / 286,60 lbs
[See dimensions on page 2](#)

Order

Quote

Order N°

CONTACT

Last name		Email	
First name		Phone	

ADDRESSES

Invoice address		Delivery address or invoice address	
Address		Address	
Postcode		Postcode	
City / State		City / State	
Country		Country	

DEALER

Company name		Email	
PO number			

WHEELCHAIR MODELS

Code	Designation	Color	Sizes	Retail price	VAT	Total	Quantity
0002-TS-02-BU	- FRAME - PUSH BAR - STEERABLE FRONT WHEEL - PAIR OF WHEELS GREY TIRES - PARKING BRAKES	Blue	1 Size	1 969,67 €	5.5 %	2 078,00 €	

OPTIONS / ADJUSTMENTS

Code	Designation	Color	Sizes	Retail price	VAT	Total	Quantity
0024-00-01	WAIST BELT			68,25 €	5.5 %	72,00 €	

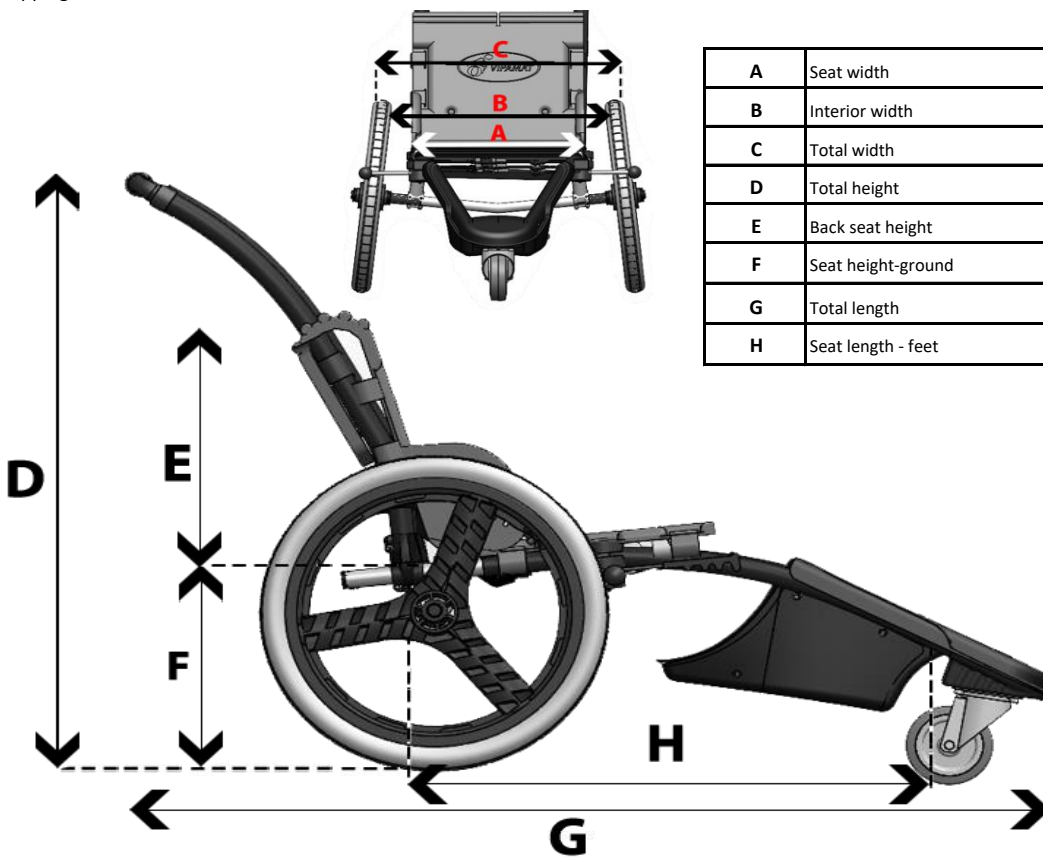
TERMS AND INFORMATION

Rates are subject to change without notice.

Form to be sent by e-mail to contact@vipamat.com.

Payment by bank transfer before sending the goods.

Shipping costs not included.



A	Seat width	40	15,7
B	Interior width	50	19,7
C	Total width	68	26,7
D	Total height	96	37,8
E	Back seat height	37	14,6
F	Seat height-ground	34	13,4
G	Total length	137	54
H	Seat length - feet	72	28,4
		CM	INCH



Website

www.vipamat.com

Vipamat



Vipamat



Vipamat



RECOMMENDED RETAIL PRICES

Applicable from 03-06-2022

EN 11-00 V2 PAEU-EN



VIPAMAT
3 Rue Gustave Eiffel
56270 PLOEMEUR -France
Tél :+33(0)2.97.86.24.87
contact@vipamat.com
www.vipamat.com



PRODUCT SPECIFICATIONS

Black and

Red

Product Hippocampe Marathon
Sizes M, L, XL

M Size : from 4 ft 7 in -1m40 to 5 ft 5 in - 1m65

L Size : from 5 ft 5 in - 1m65 to 6 ft 1 in - 1m85

XL Size : from 6 ft 1 in - 1m85

Weight 17 kg / 37,47 lbs
User max 100 kg / 220,46 lbs

[See dimensions on page 3](#)

Order

Quote

Order N°

CONTACT

Last name

Email

First name

Phone

ADDRESSES

Invoice address

Delivery address or invoice address

Address		Address	
Postcode		Postcode	
City / State		City / State	
Country		Country	

DEALER

Company name		Email	
PO number			

WHEELCHAIR MODELS

Code FRAME	FIX IN HEIGHT AND RECLINING BACKREST PACK	Color	Sizes	Retail price	VAT	Total	Quantity
0040-TM-03-NO	(NETS + BOTTLE INCLUDED)	Black	M	3 406,16 €	5.5 %	3 593,50 €	
0040-TL-03-NO	+ PUSH BAR + BACKREST + PAIR OF ARMRESTS + 24' MARATHON WHEELS		L	3 406,16 €	5.5 %	3 593,50 €	
0040-TX-03-NO	0041-00-01-NO + 0004-00-01 + 0007-00-02-NO + 0042-00-01		XL	3 406,16 €	5.5 %	3 593,50 €	
Code FRAME	ADJUSTABLE IN HEIGHT AND RECLINING BACKREST PACK						
0040-TM-03-NO	(NETS + BOTTLE INCLUDED)	Black	M	3 491,47 €	5.5 %	3 683,50 €	
0040-TL-03-NO	+ PUSH BAR + BACKREST + PAIR OF ARMRESTS + 24' MARATHON WHEELS		L	3 491,47 €	5.5 %	3 683,50 €	
0040-TX-03-NO	0041-00-01-NO + 0005-00-01 + 0007-00-02-NO + 0042-00-02		XL	3 491,47 €	5.5 %	3 683,50 €	

OPTIONS / ADJUSTMENTS

Code	Designation	Color	Sizes	Retail price	VAT	Total	Quantity
0008-00-05	ADJUSTABLE HEADREST			169,67 €	5,5 %	179,00 €	
0013-00-02	MIXED HARNESS			101,42 €	5,5 %	107,00 €	
0024-00-01	WAIST BELT			68,25 €	5,5 %	72,00 €	
0047-00-01	PAIR 24" TRAIL WHEELS			397,16 €	5,5 %	419,00 €	
0048-00-01	PUSH HORNS			80,57 €	5,5 %	85,00 €	
0011-TX-01	TRANSPORT BAG		XL	112,08 €	20 %	134,50 €	
0012-00-01	BACKREST BAG			35,00 €	20 %	42,00 €	
0051-TM-01	THERMAL COVER		M	138,33 €	20 %	166,00 €	
0051-TL-01	THERMAL COVER		L	146,25 €	20 %	175,50 €	
0045-00-01	BOTTLE AND ITS SUPPORT			18,96 €	5,5 %	20,00 €	
0160-TM-02	RAIN CANOPY AND LEGS PROTECTION		M	472,99 €	5,5 %	499,00 €	
0160-TL-02	RAIN CANOPY AND LEGS PROTECTION		L	472,99 €	5,5 %	499,00 €	
0160-TX-02	RAIN CANOPY AND LEGS PROTECTION		XL	472,99 €	5,5 %	499,00 €	
0162-00-01	UMBRELLA			77,50 €	20 %	93,00 €	
0050-TS-01	CONFORTABLE PLUS DUO VELCRO S - POSITIONING SEAT		S	840,00 €	20 %	1 008,00 €	
0050-TM-01	CONFORTABLE PLUS DUO		M	947,08 €	20 %	1 136,50 €	
0050-TL-01	CONFORTABLE PLUS DUO		L	1 063,75 €	20 %	1 276,50 €	
0050-XL-01	CONFORTABLE PLUS DUO		XL	1 100,42 €	20 %	1 320,50 €	
0136-00-01	WEBBING STRAP - FASTENING STRAP			19,17 €	20 %	23,00 €	
0180-00-01	BAG FOR THE 24 INCHES WHEELS			88,33 €	20 %	106,00 €	

* 2 webbing straps for 1 conforttable plus duo

EXAMPLES OF POSSIBLE CONFIGURATIONS

Use our online configurator to test different combinations





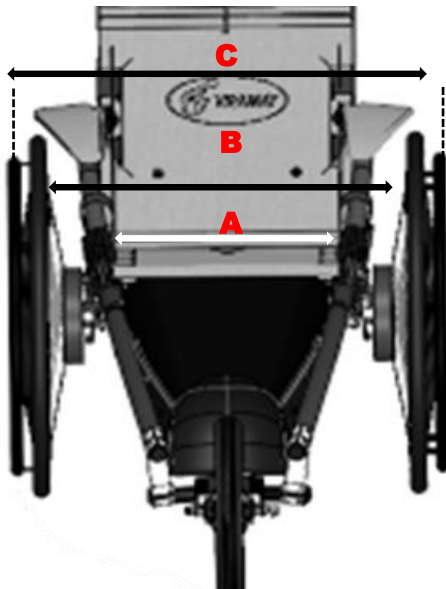
TERMS AND INFORMATION

Rates are subject to change without notice.

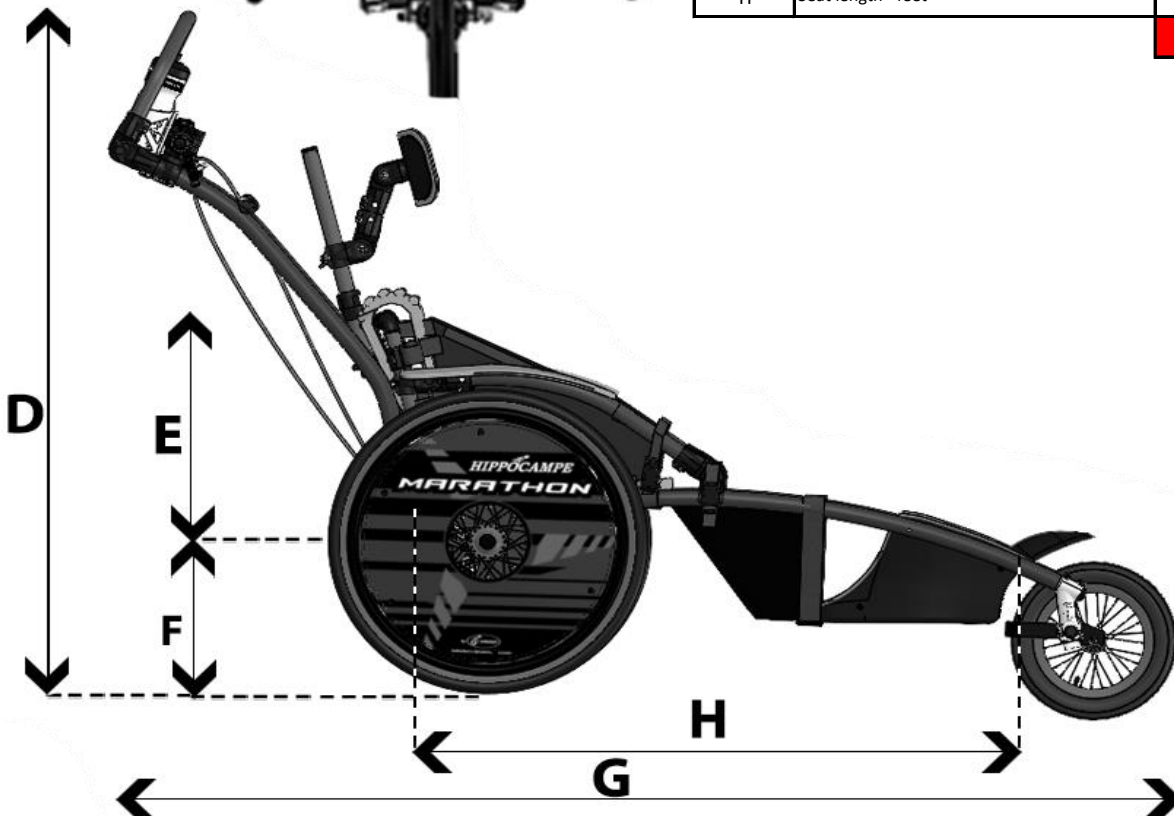
Form to be sent by e-mail to contact@vipamat.com.

Payment by bank transfer before sending the goods.

Shipping costs not included.



A	Seat width	40	15,7
B	Interior width (without armrests)	56	22
C	Total width	59	23
D	Total height	127,5	50
E	Back seat height	37 - 47	14,5 - 18,5
F	Seat height-ground	40	15,7
G	Total length	175 - 198	69 - 78
H	Seat length - feet	82 - 105	32 - 41
		CM	INCH



OPTIONS / ADJUSTMENTS



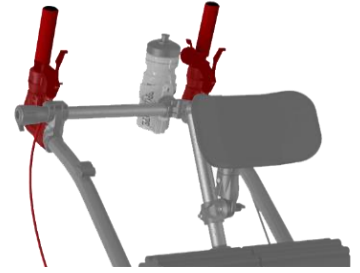
WAIST BELT



ADJUSTABLE HEADREST



MIXED HARNESS



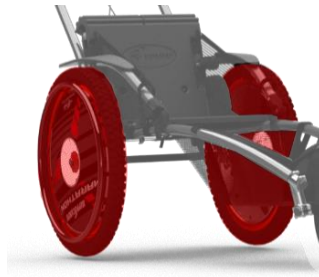
PUSH HORNS



BACKREST BAG



BOTTLE AND ITS SUPPORT



PAIR 24" TRAIL WHEELS



THERMAL COVER



BAG FOR THE 24 INCHES WHEELS



TRANSPORT BAG



UMBRELLA



COMFORTABLE PLUS DUO



RAIN CANOPY



Website

www.vipamat.com

Vipamat

Vipamat



Vipamat

